



ELASTATEX 500 Over Plywood Cast Iron Flange Plate Drain

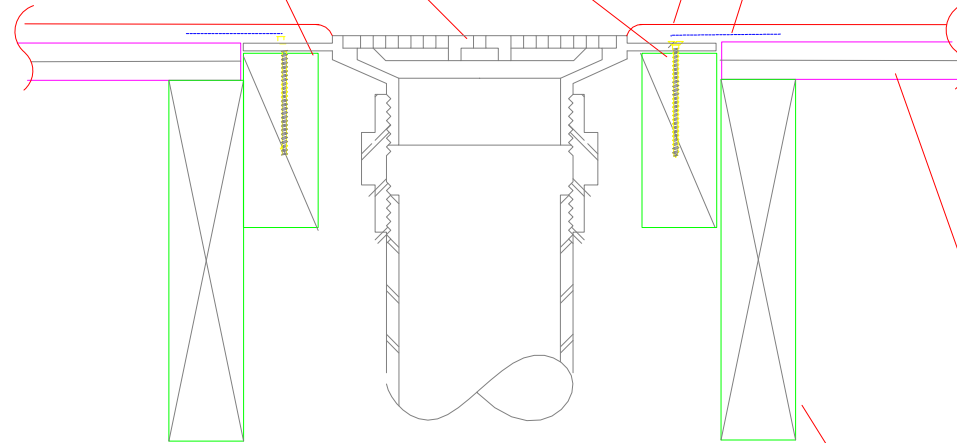
FULL PERIMETER
BLOCKING AND SECUREMENT

FLANGED DECK DRAIN

FULL PERIMETER
BLOCKING AND SECUREMENT

ELASTATEX 500
DECK COVERING SYSTEM

ELASTATEX 500 WITH
FABRIC REINFORCEMENT
DETAIL COAT



FRAMING

PLYWOOD SUBSTRATE

REFER TO THE FOLLOWING INSTALLATION
NOTES FOR ADDITIONAL REQUIRED INFORMATION

1. PLYWOOD SHEATHING AND FRAMING
5. DECK DRAIN REQUIREMENTS

Deck Drain Detail

DUH351-001/01

E4C